

## FEATURES

- Standard (DOSA compatible) SIP package
- User-selectable outputs: 0.8 to 5Vdc
- 30 Amps maximum output current
- Double lead free to RoHS standards
- Selectable phased start-up sequencing, tracking and pre-bias operation
- Wide range input voltages 6 to 14Vdc
- To 150W with overtemperature shutdown
- Very high efficiency up to 94%
- Fast settling, high di/dt I<sub>OUT</sub> slew rate
- Designed to meet UL 60950-1, CAN/CSA-C22.2 60950-1, IEC 60950-1, EN60950-1 safety approvals
- Extensive self-protection with short circuit “hiccup” shutdown
- Output overvoltage/overcurrent protection
- Input under and overvoltage shutdown

## DESCRIPTION

These miniature point-of-load (POL) switching DC/DCs are an ideal regulation and supply element for distributed power and intermediate bus architectures. The converter is fully compatible with the Distributed-power Open Standards Alliance specification ([www.dosapower.com](http://www.dosapower.com)). LSN2-T/30-D12 can power CPU's, programmable logic and mixed voltage systems with little heat and low noise. A typical application uses a master isolated 12V DC supply and the LSN2-T/30-D12 converter for local 1.8V and 3.3V DC supplies.

All system isolation resides in the central 48V/12V bus converter supply, leaving lower cost POL regulation right at the load. Unlike linear regulators, the LSN2-T/30-D12 can deliver very high power (up to 150W) in a tiny area with no heat sinking and no external components needed. The converter features quick transient response (to 25µsec) and

very fast current slew rates (to 20A/µsec).

LSN2-T/30-D12 is an open-frame SIP using advanced surface mount (SMT) assembly and test techniques. The extraordinary performance is achieved with a fully synchronous fixed-frequency buck topology delivering high efficiency, tight line/load regulation, stable no-load operation and no output reverse conduction.

Output voltage, selected with an external programming resistor or DC voltage into the trim pin, means OEM's can stock one model for multiple applications. Also included are protection for out-of-limit voltages, currents and temperature. Other functions: a remote On/Off control, optional Power Good output, a phased start-up sequence and tracking system, and a load Sense input.

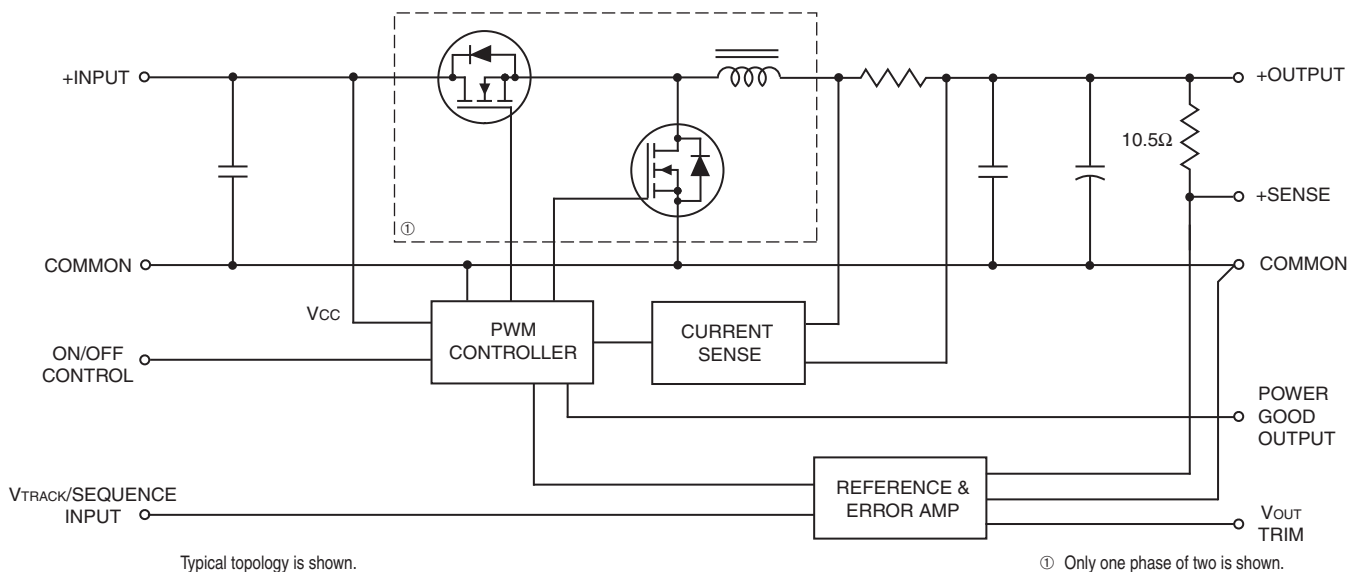


Figure 1. LSN2-T/30-D12 Series Simplified Schematic



PERFORMANCE SPECIFICATIONS AND ORDERING GUIDE <sup>①</sup>													
Model <sup>⑦</sup>	Output						Input			Efficiency <sup>⑤</sup>		Package (Case/ Pinout)	
	V <sub>OUT</sub> (Volts)	I <sub>OUT</sub> (Amps)	Power (Watts)	R/N (mVp-p) <sup>②</sup>		Regulation (max.) <sup>③</sup>		V <sub>IN</sub> Nom. (Volts)	Range <sup>⑥</sup> (Volts)	I <sub>IN</sub> <sup>④</sup> (mA/A)	Min.		Typ.
				Typ.	Max.	Line	Load						
LSN2-T/30-D12-C	0.8-5	30	150	25	50	±0.1%	±0.1%	12	6-14	200/11.1	93%	94%	B13, P71

① Typical at T<sub>A</sub> = +25°C under nominal line voltage and full-load conditions, unless noted. All models are tested and specified with external 22µF tantalum input and output 0.01/0.1/10µF capacitors. These capacitors are necessary to accommodate our test equipment and may not be required to achieve specified performance in your applications. See I/O Filtering and Noise Reduction.

② Ripple/Noise (R/N) is tested/specified over a 20MHz bandwidth for V<sub>OUT</sub> > 3.63V and may be reduced with external filtering. See I/O Filtering and Noise Reduction for details.

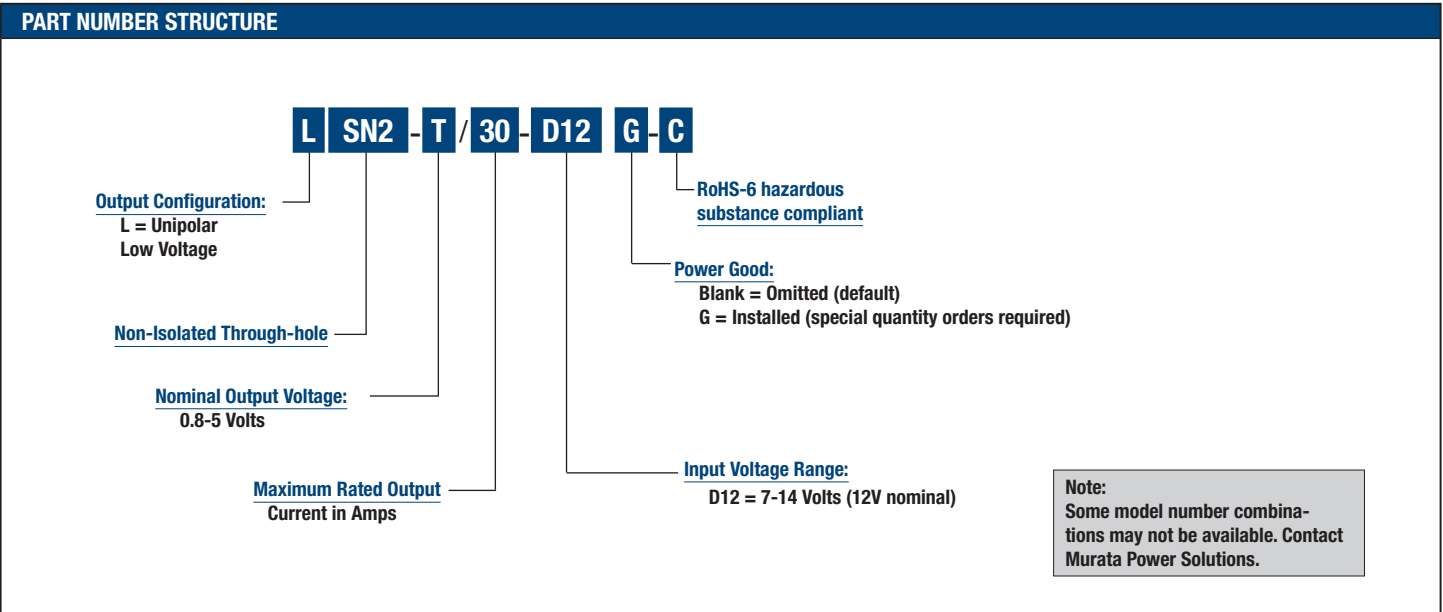
③ These devices have no minimum-load requirements and will regulate under no-load conditions. Regulation specifications describe the output-voltage deviation as the line voltage or load is varied from its nominal/midpoint value to either extreme.

④ Nominal line voltage, no-load/full-load conditions.

⑤ LSN2-T/30-D12 efficiencies are shown at 5V<sub>OUT</sub>.

⑥ Input range is 6-14V if V<sub>OUT</sub> ≤ 3.63V. For V<sub>OUT</sub> > 3.63V, the input range is 7-14V.

⑦ Please refer to the Part Number Structure for additional options when ordering.



### SOLDERING GUIDELINES

Murata Power Solutions recommends the specifications below when installing these converters. These specifications vary depending on the solder type. Exceeding these specifications may cause damage to the product. Be cautious when there is high atmospheric humidity. We strongly recommend a mild pre-bake (100°C. for 30 minutes). Your production environment may differ therefore please thoroughly review these guidelines with your process engineers.

#### Wave Solder Operations for through-hole mounted products (THMT)

For Sn/Ag/Cu based solders:

- Maximum Preheat Temperature: 115°C.
- Maximum Pot Temperature: 270°C.
- Maximum Solder Dwell Time: 7 seconds

For Sn/Pb based solders:

- Maximum Preheat Temperature: 105°C.
- Maximum Pot Temperature: 250°C.
- Maximum Solder Dwell Time: 6 seconds

### Performance/Functional Specifications <sup>(1)</sup>

Input	
<b>Input Voltage Range</b>	See Ordering Guide
<b>Isolation</b>	Not isolated. Input and output Commons are internally connected.
<b>Start-Up Voltage</b>	5.5 Volts
<b>Undervoltage Shutdown</b>	5.2 Volts
<b>Overvoltage Shutdown</b>	None
<b>Reflected (Back) Ripple Current <sup>(2)</sup></b>	20mA <sub>p-p</sub>
<b>Internal Input Filter Type</b>	Capacitive
<b>Reverse Polarity Protection</b>	See fuse information
<b>Input Current:</b>	
Full Load Conditions	See Ordering Guide
Inrush Transient	0.4A <sup>2</sup> sec
Shutdown Mode (Off, UV, OT)	5mA
Output Short Circuit	60mA
No Load, 5V <sub>OUT</sub>	200mA
Low Line (V <sub>IN</sub> = V <sub>MIN</sub> , 5V <sub>OUT</sub> )	18.8 Amps
<b>Remote On/Off Control: <sup>(5)</sup></b>	
Negative Logic (No suffix)	ON = 0 to +0.5V max. OFF = +2V min. to +14V max.
Current	1 mA max.
Output	
<b>Voltage Output Range</b>	See Ordering Guide
<b>Minimum Loading</b>	No minimum load
<b>Accuracy (50% load)</b>	±1.5% of V <sub>nominal</sub>
<b>Voltage Adjustment Range <sup>(13)</sup></b>	See Ordering Guide
<b>Overvoltage Protection</b>	None
<b>Temperature Coefficient</b>	±0.02% per °C of V <sub>OUT</sub> range
<b>Ripple/Noise (20 MHz bandwidth)</b>	See Ordering Guide <sup>(8)</sup>
<b>Line/Load Regulation (See Tech. Notes)</b>	See Ordering Guide <sup>(10)</sup>
<b>Efficiency</b>	See Ordering Guide
<b>Maximum Capacitive Loading <sup>(15)</sup></b>	
Cap-ESR = 0.001 to 0.01Ω	5,000μF
Cap-ESR > 0.01Ω	10,000μF
<b>Current Limit Inception</b>	
(98% of V <sub>OUT</sub> setting)	48 Amps (cold startup) 42 Amps (after warm up)
<b>Short Circuit Mode <sup>(6)</sup></b>	
Short Circuit Current Output	600mA
Protection Method <sup>(14)</sup>	Hiccup autorecovery on overload removal
Short Circuit Duration	Continuous, no damage (output shorted to ground)
<b>Pre-bias Startup <sup>(16)</sup></b>	Converter will start up if the external output voltage is less than V <sub>NOMINAL</sub>
<b>Sequencing</b>	
Slew Rate	2V max. per millisecond
Startup delay until sequence start	10 milliseconds
Tracking accuracy, rising input	V <sub>OUT</sub> = ±200mV of Sequence In
Tracking accuracy, falling input	V <sub>OUT</sub> = ±400mV of Sequence In
<b>Remote Sense to V<sub>OUT</sub></b>	0.5V max. <sup>(7)</sup>

<b>Power Good Output <sup>(15)</sup></b>	
Configuration	Positive-true open drain FET with internal 10 Kiloohm pullup to +5 Vdc
Operation	TRUE (power is okay) = High, approx. 5Vdc FALSE (power is not ready) = Low, < 1V typ., while DC/DC is powered
External sink current	4.5 mA max. (< 1mA is recommended to retain V <sub>pg</sub> < 1V)
FALSE conditions (OR'd)	Soft start is active, Tracking is active, output is greater than ±10% out of regulation, overcurrent, or overtemperature

Dynamic Characteristics	
<b>Dynamic Load Response</b>	60μsec to within ±2% of final value (50-100-50% step, di/dt = 20A/msec)
<b>Start-Up Time</b>	7mS for V <sub>OUT</sub> = nominal (V <sub>IN</sub> on to V <sub>OUT</sub> regulated or On/Off to V <sub>OUT</sub> )
<b>Switching Frequency</b>	520 ±50kHz
Environmental	
<b>Calculated MTBF <sup>(4)</sup></b>	4, 018, 248 Hours
<b>Operating Temperature Range</b>	-40 to +85°C with derating See Derating Curves
<b>Operating PC Board Temperature</b>	-40 to +100°C max. <sup>(12)</sup>
<b>Storage Temperature Range</b>	-55 to +125°C
<b>Thermal Protection/Shutdown</b>	+115°C
<b>Relative Humidity</b>	To 85°C/85% RH, non-condensing
Physical	
<b>Outline Dimensions</b>	See Mechanical Specifications
<b>Weight</b>	0.28 ounces (7.8 grams)
<b>Electromagnetic Interference</b>	Designed to meet FCC part 15, class B, EN55022 (conducted and radiated) (may need external filter)
<b>Safety</b>	Designed to meet UL/cUL 60950-1, CSA-C22.2 No.60950-1, IEC/EN 60950-1

ABSOLUTE MAXIMUM RATINGS	
<b>Input Voltage (Continuous or transient)</b>	+15 Volts
<b>On/Off Control</b>	0V min. to + V <sub>IN</sub> max.
<b>Input Reverse Polarity Protection</b>	See Fuse section
<b>Output Current <sup>(7)</sup></b>	Current-limited. Devices can withstand sustained short circuit without damage.
<b>Storage Temperature</b>	-55 to +125°C
<b>Lead Temperature</b>	See soldering guidelines
These are stress ratings. Exposure of devices to greater than any of these conditions may adversely affect long-term reliability. Proper operation under conditions other than those listed in the Performance/Functional Specifications Table is not implied.	

**Performance/Functional Specification Notes:**

- (1) Specifications are typical at +25°C,  $V_{IN}$  = nominal (+12V),  $V_{OUT}$  = nominal (+5V), full load, external caps and natural convection unless otherwise indicated.  
All models are tested and specified with external 0.01µF, 0.1µF, and 10µF (all paralleled) ceramic/tantalum output capacitors and a 22µF external input capacitor. All capacitors are low ESR types. These capacitors are necessary to accommodate our test equipment and may not be required to achieve specified performance in your applications. All models are stable and regulate within spec under no-load conditions.
- (2) Input Back Ripple Current is tested and specified over a 5Hz to 20MHz bandwidth. Input filtering is  $C_{IN} = 2 \times 100\mu\text{F}$  tantalum,  $C_{BUS} = 1000\mu\text{F}$  electrolytic,  $L_{BUS} = 1\mu\text{H}$ .
- (3) Note that Maximum Power Derating curves indicate an average current at nominal input voltage. At higher temperatures and/or lower airflow, the DC/DC converter will tolerate brief full current outputs if the total RMS current over time does not exceed the Derating curve.
- (4) Mean Time Before Failure is calculated using the Telcordia (Belcore) SR-332 Method 1, Case 3, ground fixed conditions, TPCBOARD = +25°C, full output load, natural air convection.
- (5) The On/Off Control may be driven with external logic or by applying appropriate external voltages which are referenced to -Input Common. The On/Off Control Input should use either an open collector/open drain transistor or logic gate.
- (6) Short circuit shutdown begins when the output voltage degrades approximately 2% from the selected setting.
- (7) If Sense is connected remotely at the load, up to 0.5 Volts difference is allowed between the Sense and +Vout pins to compensate for ohmic voltage drop in the power lines. A larger voltage drop may cause the converter to exceed maximum power dissipation. Connect sense to +Vout at the converter if sense is not connected to a remote load.
- (8) Output noise may be further reduced by adding an external filter. See I/O Filtering and Noise Reduction.
- (9) All models are fully operational and meet published specifications, including "cold start" at -40°C. At full power, the package temperature of all on-board components must not exceed +128°C.
- (10) Regulation specifications describe the deviation as the line input voltage or output load current is varied from a nominal midpoint value to either extreme.
- (11) Other input or output voltage ranges will be reviewed under scheduled quantity special order.
- (12) Maximum PC board temperature is measured with the sensor in the center.
- (13) Do not exceed maximum power specifications when adjusting the output trim.
- (14) After short circuit shutdown, if the load is partially removed such that the load still exceeds the overcurrent (OC) detection, the converter will remain in hiccup restart mode.
- (15) Static Discharge CAUTION: The Power Good output connects directly to the PWM controller. Be sure to use proper grounding techniques to avoid damaging the converter. Power Good is not valid when using Sequence/Tracking.
- (16) The maximum output capacitive loads depend on the the Equivalent Series Resistance (ESR) of the external output capacitor. Larger caps will reduce output noise but may slow transient response or degrade dynamic performance. Use only as much output filtering as needed **and no more**. Thoroughly test your system under full load, especially with low-ESR ceramic capacitors.
- (17) Do not use Pre-bias startup and sequencing together. See the Technical Notes below.

**TECHNICAL NOTES**

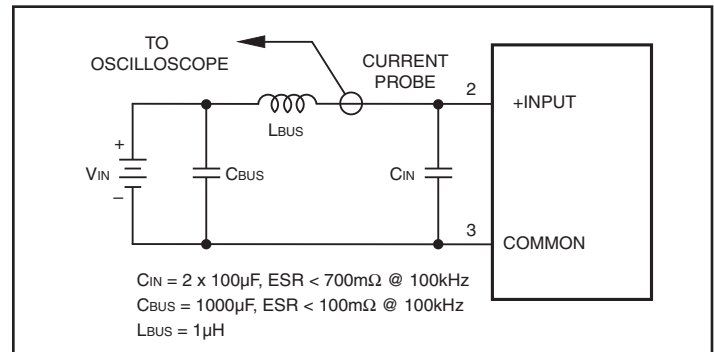
**I/O Filtering and Noise Reduction**

All models in the LSN2-T/30-D12 Series are tested and specified with external 0.01µF, 0.1µF, and 10µF (all paralleled) ceramic/tantalum output capacitors and a 22µF tantalum input capacitor. These capacitors are necessary to accommodate our test equipment and may not be required to achieve desired performance in your application. The LSN2-T/30-D12's are designed with high-quality, high-performance internal I/O caps, and will operate within spec in most applications with no additional external components.

In particular, the LSN2-T/30-D12's input capacitors are specified for low ESR and are fully rated to handle the units' input ripple currents. Similarly, the internal output capacitors are specified for low ESR and full-range frequency response.

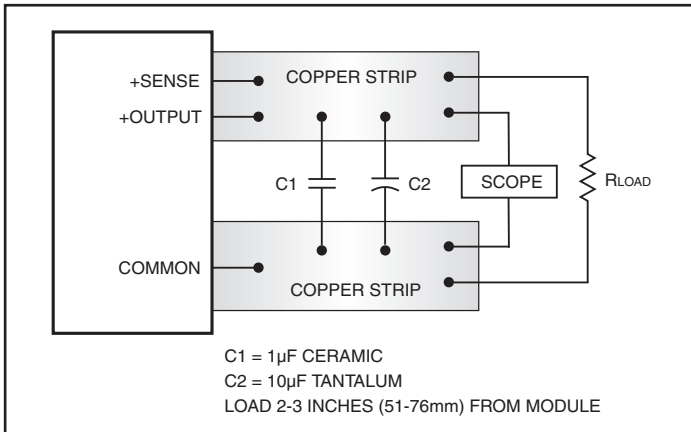
In critical applications, input/output ripple/noise may be further reduced using filtering techniques, the simplest being the installation of external I/O caps.

External input capacitors serve primarily as energy-storage devices. They minimize high-frequency variations in input voltage (usually caused by IR drops in conductors leading to the DC/DC) as the switching converter draws pulses of current. Input capacitors should be selected for bulk capacitance (at appropriate frequencies), low ESR, and high rms-ripple-current ratings. The switching nature of modern DC/DCs requires that the dc input voltage source have low ac impedance at the frequencies of interest. Highly inductive source impedances can greatly affect system stability. Your specific system configuration may necessitate additional considerations.



**Figure 2. Measuring Input Ripple Current**

Output ripple/noise (also referred to as periodic and random deviations or PARD) may be reduced below specified limits with the installation of additional external output capacitors. Output capacitors function as true filter elements and should be selected for bulk capacitance, low ESR, and appropriate frequency response. Any scope measurements of PARD should be made directly at the DC/DC output pins with scope probe ground less than 0.5" in length. All external capacitors should have appropriate voltage ratings and be located as close to the converters as possible. Temperature variations for all relevant parameters should be taken into consideration.



**Figure 3. Measuring Output Ripple/Noise (PARD)**

The most effective combination of external I/O capacitors will be a function of your line voltage and source impedance, as well as your particular load and layout conditions.

### Input Fusing

Most applications and or safety agencies require the installation of fuses at the inputs of power conversion components. The LSN2-T/30-D12 Series are not internally fused. Therefore, if input fusing is mandatory, either a normal-blow or a slow-blow fuse with a value no greater than twice the maximum input current calculated at low line with the converter's minimum efficiency should be installed within the ungrounded input path to the converter.

### Safety Considerations

LSN2-T/30-D12 SIPs are non-isolated DC/DC converters. In general, all DC/DC's must be installed, including considerations for I/O voltages and spacing/separation requirements, in compliance with relevant safety-agency specifications (usually UL/IEC/EN60950-1).

In particular, for a non-isolated converter's output voltage to meet SELV (safety extra low voltage) requirements, its input must be SELV compliant. If the output needs to be ELV (extra low voltage), the input must be ELV.

### Input Overvoltage and Reverse-Polarity Protection

LSN2-T/30-D12 SIP Series DC/DCs do not incorporate either input overvoltage or input reverse-polarity protection. Input voltages in excess of the specified absolute maximum ratings and input polarity reversals of longer than "instantaneous" duration can cause permanent damage to these devices.

### Start-Up Time

The  $V_{IN}$  to  $V_{OUT}$  Start-Up Time is the interval between the time at which a ramping input voltage crosses the lower limit of the specified input voltage range and the fully loaded output voltage enters and remains within its specified accuracy band. Actual measured times will vary with input source impedance, external input capacitance, and the slew rate and final value of the input voltage as it appears to the converter.

The On/Off to  $V_{OUT}$  Start-Up Time assumes the converter is turned off via the On/Off Control with the nominal input voltage already applied to the converter. The specification defines the interval between the time at which the converter

is turned on and the fully loaded output voltage enters and remains within its specified accuracy band. See Typical Performance Curves.

### Remote Sense

LSN2-T/30-D12 Series offer an output sense function. The sense function enables point-of-use regulation for overcoming moderate IR drops in conductors and/or cabling. Since these are non-isolated devices whose inputs and outputs usually share the same ground plane, sense is provided only for the +Output.

The remote sense line is part of the feedback control loop regulating the DC/DC converter's output. The sense line carries very little current and consequently requires a minimal cross-sectional-area conductor. As such, it is not a low-impedance point and must be treated with care in layout and cabling. Sense lines should be run adjacent to signals (preferably ground), and in cable and/or discrete-wiring applications, twisted-pair or similar techniques should be used. To prevent high frequency voltage differences between  $V_{OUT}$  and Sense, we recommend installation of a 1000pF capacitor close to the converter.

The sense function is capable of compensating for voltage drops between the +Output and +Sense pins that do not exceed 10% of  $V_{OUT}$ .

$$[V_{OUT(+)} - Common] - [Sense(+) - Common] \leq 10\%V_{OUT}$$

Power derating (output current limiting) is based upon maximum output current and voltage at the converter's output pins. Use of trim and sense functions can cause the output voltage to increase, thereby increasing output power beyond the LSN2-T/30-D12's specified rating. Therefore:

$$(V_{OUT \text{ at pins}}) \times (I_{OUT}) \leq \text{rated output power}$$

The internal 10.5Ω resistor between +Sense and +Output (see Figure 1) serves to protect the sense function by limiting the output current flowing through the sense line if the main output is disconnected. It also prevents output voltage runaway if the sense connection is disconnected.

*Note: If the sense function is not used for remote regulation, +Sense must be tied to +Output at the DC/DC converter pins.*

### Remote On/Off Control

Normally this input is controlled by the user's external transistor or relay. With simple external circuits, it may also be selected by logic outputs. Please note however that the actual control threshold levels vary somewhat with the PWM supply and therefore are best suited to "open collector" or "open drain" type logic. The On/Off control takes effect only when appropriate input power has been applied and stabilized (approximately 7msec).

For negative polarity, the default operation leaves this pin open (unconnected) or LOW. The output will then always be on (enabled) whenever appropriate input power is applied.

Dynamic control of the On/Off must be capable of sinking or sourcing the control current (approximately 1mA max.) and not overdrive the input greater than the  $+V_{IN}$  power input. Always wait for the input power to stabilize before activating the On/Off control. Be aware that a delay of several milliseconds occurs (see specifications) between activation of the control and the resulting change in the output.

### Power-up Sequencing

If a controlled start-up of one or more LSN2-T/30-D12 Series DC/DC converters is required, or if several output voltages need to be powered-up in a given sequence, the On/Off control pin can be driven with an external open collector device as per Figure 4.

### Output Overvoltage Protection

LSN2-T/30-D12 SIP Series DC/DC converters do not incorporate output overvoltage protection. In the extremely rare situation in which the device's feedback loop is broken, the output voltage may run to excessively high levels ( $V_{OUT} = V_{IN}$ ). If it is absolutely imperative that you protect your load against

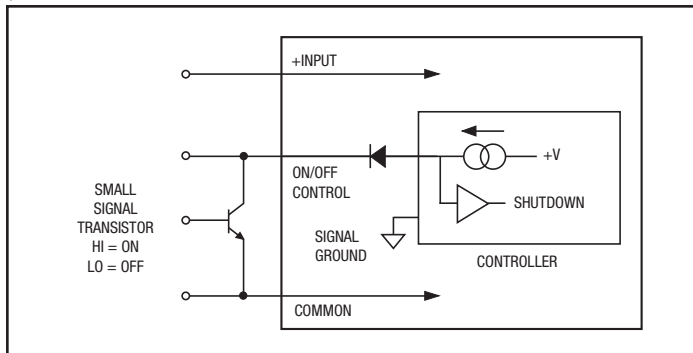


Figure 4. On/Off Control Using An External Open Collector Driver

any and all possible overvoltage situations, voltage limiting circuitry must be provided external to the power converter.

### Output Overcurrent Detection

Overloading the power converter's output for an extended time will invariably cause internal component temperatures to exceed their maximum ratings and eventually lead to component failure. High-current-carrying components such as inductors, FET's and diodes are at the highest risk. LSN2-T/30-D12 SIP Series DC/DC converters incorporate an output overcurrent detection and shutdown function that serves to protect both the power converter and its load.

If the output current exceeds its maximum rating by typically 50% or if the output voltage drops to less than 98% of its original value, the LSN2-T/30-D12's internal overcurrent-detection circuitry immediately turns off the converter, which then goes into a "hiccup" mode. While hiccupping, the converter will

continuously attempt to restart itself, go into overcurrent, and then shut down. Once the output short is removed, the converter will automatically restart itself.

### Output Reverse Conduction

Many DC/DCs using synchronous rectification suffer from Output Reverse Conduction. If those devices have a voltage applied across their output before a voltage is applied to their input (this typically occurs when another power supply starts before them in a power-sequenced application), they will either fail to start or self destruct. In both cases, the cause is the "freewheeling" or "catch" FET biasing itself on and effectively becoming a short circuit.

LSN2-T/30-D12 SIP DC/DC converters do not suffer from Output Reverse Conduction. They employ proprietary gate drive circuitry that makes them immune to moderate applied output overvoltages.

### Thermal Considerations and Thermal Protection

The typical output-current thermal-derating curves shown below enable designers to determine how much current they can reliably derive from each model of the LSN2-T/30-D12 SIPs under known ambient-temperature and air-flow conditions. Similarly, the curves indicate how much air flow is required to reliably deliver a specific output current at known temperatures.

The highest temperatures in LSN2-T/30-D12 SIPs occur at their output inductor, whose heat is generated primarily by  $I^2R$  losses. The derating curves were developed using thermocouples to monitor the inductor temperature and varying the load to keep that temperature below +110°C under the assorted conditions of air flow and air temperature. Once the temperature exceeds +115°C (approx.), the thermal protection will disable the converter. Automatic restart occurs after the temperature has dropped below +110°C.

As you may deduce from the derating curves and observe in the efficiency curves on the following pages, LSN2-T/30-D12 SIPs maintain virtually constant efficiency from half to full load, and consequently deliver very impressive temperature performance even if operating at full load.

Lastly, when LSN2-T/30-D12 SIPs are installed in system boards, they are obviously subject to numerous factors and tolerances not taken into account here. If you are attempting to extract the most current out of these units under demanding temperature conditions, we advise you to monitor the output-inductor temperature to ensure it remains below +110°C at all times.

### Start Up Considerations

When power is first applied to the DC/DC converter, operation is different than when the converter is running and stabilized. There is some risk of start up difficulties if you do not observe several application features. Lower output voltage converters may have more problems here since they tend to have higher output currents. Operation is most critical with any combination of the

following external factors:

- 1 – Low initial input line voltage and/or poor regulation of the input source.
- 2 – Full output load current on lower output voltage converters.
- 3 – Slow slew rate of input voltage.
- 4 – Longer distance to input voltage source and/or higher external input source impedance.
- 5 – Limited or insufficient ground plane. External wiring that is too small.
- 6 – Too small external input capacitance. Too high ESR.
- 7 – High output capacitance causing a start up charge overcurrent surge.
- 8 – Output loads with excessive inductive reactance or constant current characteristics.

If the input voltage is already at the low limit before power is applied, the start up surge current may instantaneously reduce the voltage at the input terminals to below the specified minimum voltage. Even if this voltage depression is very brief, this may interfere with the on-board controller and possibly cause a failed start. Or the converter may start but the input current load will now drive the input voltage below its running low limit and the converter will shut down.

If you measure the input voltage before start up with a Digital Voltmeter (DVM), the voltage may appear to be adequate. Limited external capacitance and/or too high a source impedance may cause a short downward spike at power up, causing an instantaneous voltage drop. Use an oscilloscope not a DVM to observe this spike. The converter's soft-start controller is sensitive to input voltage. What matters here is the actual voltage at the input terminals at all times.

Symptoms of start-up difficulties may include failed started, output oscillation or brief start up then overcurrent shutdown. Since the input voltage is never absolutely constant, the converter may start up at some times and not at others.

**LSN2-T/30-D12 Power Sequencing**

In older systems, one master switch simultaneously turned on the power for all parts of an application. Many modern systems require multiple supply voltages for different on-board sections. Typically the CPU or microcontroller needs 1.8 Volts or lower. Memory (particularly DDR) may use 1.8 to 2.5 Volts. Interface “glue” and “chipset” logic might use +3.3Vdc power while Input/Output subsystems may need +5V. Finally, peripherals use 5V and/or 12V.

**Timing is Everything**

This mix of system voltages is being distributed by several local power solutions including Intermediate Bus Architecture (IBA) bus converters, Point-of-load (POL) DC/DC converters and sometimes a linear regulator, all sourced from a master AC power supply. While this mix of voltages is challenging enough, a further difficulty is the start-up and shutdown timing relationship between these power sources and relative voltage differences between them.

For many systems, the CPU and memory must be powered up, boot-strap loaded and stabilized before the I/O section is turned on. This avoids uncommanded data bytes being transferred, compromising an already-running external network or placing the I/O section in an undefined mode. Or it keeps bad commands out of disk and peripheral controllers until they are ready to go to work.

Another goal for staggered power-up is to avoid an oversize load applied to the master source all at once. A more serious reason to manage the timing and voltage differences is to avoid either a latchup condition in programmable logic (a latchup might ignore commands or would respond improperly to them) or a high current startup situation (which may damage on-board circuits). And on the power down phase, inappropriate timing or voltages can cause interface logic to send a wrong “epitaph” command (Figure 5).

Figure 5. Power Up/Down Sequencing Controller

**Two Approaches**

There are two ways to manage these timing and voltage differences. Either the power up/down sequence can be controlled by discrete On/Off logic controls for each power supply (see Figure 5). Or the power up/down cycle is set by Sequencing or Tracking circuits. Some systems combine both methods.

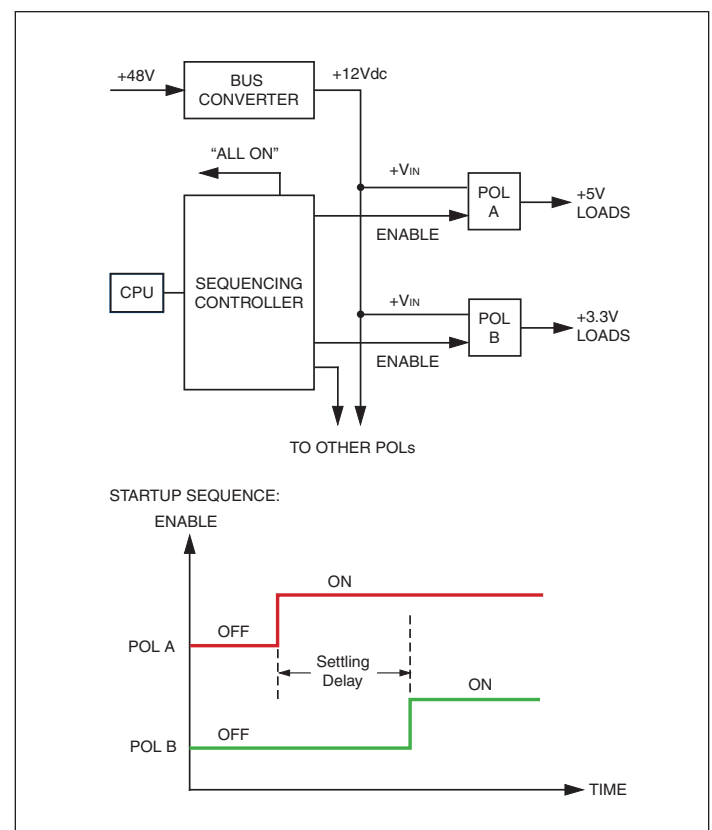
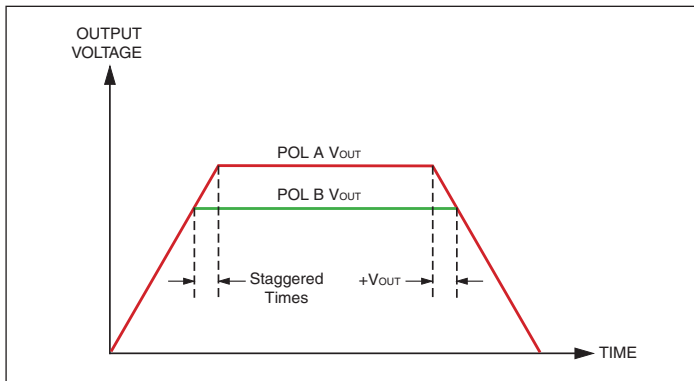


Figure 6. Coincident or Simultaneous Phasing (Identical Slew Rates)

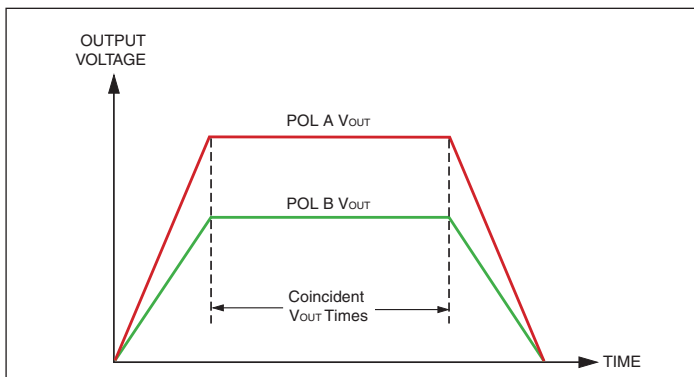
The first system (discrete On/Off controls) applies signals from an already-powered logic sequencer or dedicated microcontroller which turns on each downstream power section in cascaded series. This of course assumes all POLs have On/Off controls. A distinct advantage of the sequencing controller is that it can produce an “All On” output signal to state that the full system is



stable and ready to go to work. For additional safety, the sequencer can monitor the output voltages of all downstream POLs with an A/D converter system.  
**Figure 7. Proportional or Ratiometric Phasing (Identical  $V_{out}$  Time)**

Figure 7 shows two POLs with different slew rates in order to reach differing final voltages at about the same time.

However, the sequencer controller has some obvious difficulties besides extra cost, wiring and programming complexity. First, power is applied as a



fast-rising all-or-nothing step which may be unacceptable to certain circuits, especially large output bypass capacitors. These could force POLs into overcurrent shutdown. And some circuits (such as many linear regulators and some POLs) may not have convenient start-up controls. This requires designing and fabricating external power controls such as high-current MOSFETs.

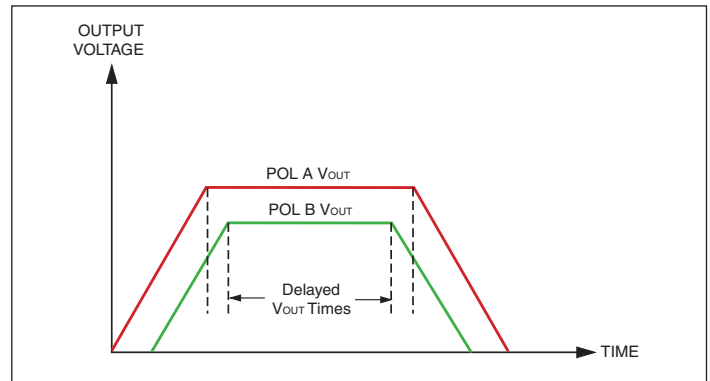
**Figure 8. Staggered or Sequential Phasing—Inclusive (Fixed Delays)**

**Figure 9. Staggered or Sequential Phasing—Exclusive (Fixed Cascaded Delays)**

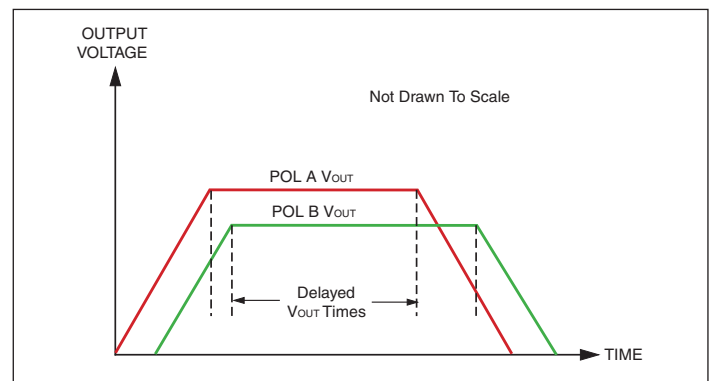
**Figure 10. Wiring for Simultaneous Phasing**

**Figure 11. Self-Ramping Power Up**

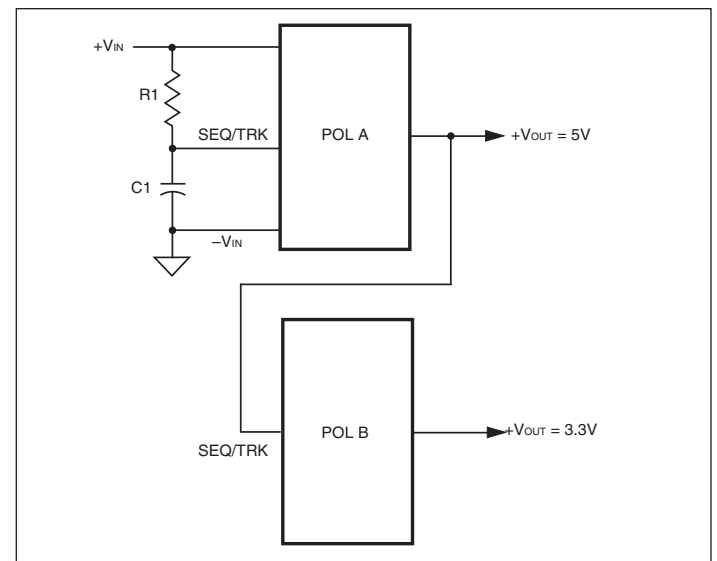
**Figure 12. Proportional Phasing**



**Figure 13. Sequence/Track Simplified Equivalent Schematic**

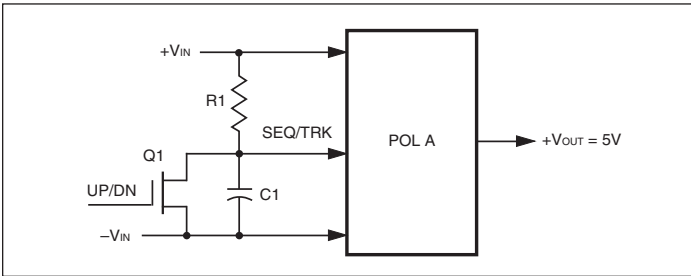


If the power up/down timing needs to be closely controlled, each POL must be characterized for start-up and down times. These often vary—one POL may

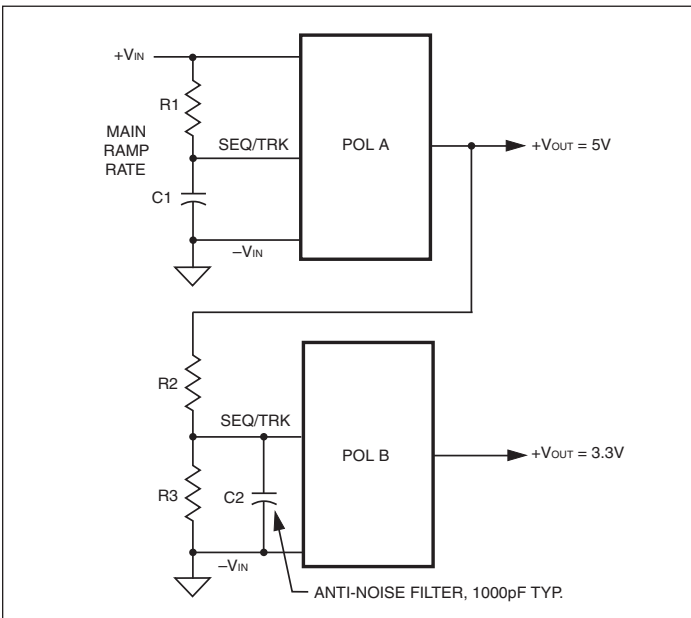


stabilize in 15 milliseconds whereas another takes 50 mS. Another problem is

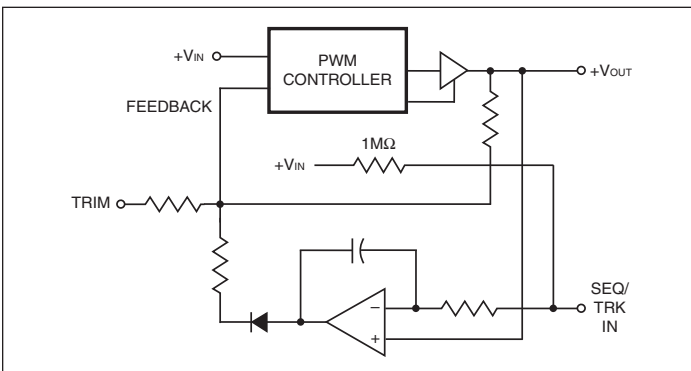




that the sequencing controller itself must be “already running” and stabilized



before starting up other circuits. If there is a glitch in the system, the power



up/down sequencer could get out of step with possible disastrous results.

Lastly, changing the timing may require reprogramming the logic sequencer or rewriting software.

### Sequence/Track Input

A different power sequencing solution is employed on the LSN2-T/30-D12 DC/DC converter. After external input power is applied and the converter stabilizes, a high impedance Sequence/Track input pin accepts an external analog voltage. The output power voltage will then track this Sequence/Track input at a one-to-one ratio up to the nominal set point voltage for that converter. This Sequencing input may be ramped, delayed, stepped or otherwise phased as needed for the output power, all fully controlled by the user’s simple external circuits. As a direct input to the converter’s feedback loop, response to the Sequence/Track input is very fast (milliseconds).

By properly controlling this Sequence pin, most operations of the discrete On/Off logic sequencer may be duplicated. The Sequence pin system does not use the converter’s Enable On/Off control (unless it is a master emergency shut down system).

### Power Phasing Architectures

Observe the simplified timing diagrams in this section. There are many possible power phasing architectures and these are just some examples to help you analyze your system. Each application will be different. Multiple output voltages may require more complex timing than that shown here.

These diagrams illustrate the time and slew rate relationship between two typical power output voltages. Generally the Master will be a primary power voltage in the system which must be present first or coincident with any Slave power voltages. The Master output voltage is connected to the Slave’s Sequence input, either by a voltage divider, divider-plus-capacitor or some other method.

Several standard sequencing architectures are prevalent. They are concerned with three factors:

- The time relationship between the Master and Slave voltages
- The voltage difference relationship between the Master and Slave.
- The voltage slew rate (ramp slope) of each converter’s output.

For most systems, the time relationship is the dominant factor. The voltage difference relationship is important for systems very concerned about possible latchup of programmable devices or overdriving ESD diodes. Lower slew rates avoid overcurrent shutdown during bypass cap charge-up.

In Figure 10, two POLs ramp up at the same rate until they reach their different respective final set point voltages. During the ramp, their voltages are nearly identical. This avoids problems with large currents flowing between logic systems which are not initialized yet. Since both end voltages are different, each converter reaches it’s setpoint voltage at a different time.

Figure 12 shows two POLs with different slew rates in order to reach differing final voltages at about the same time.

### Operation

To use the Sequence pin after power start-up stabilizes, apply a rising external voltage to the Sequence input. As the voltage rises, the output voltage will track the Sequence input (gain = 1). The output voltage will stop rising when it reaches the normal set point for the converter. The Sequence input may optionally continue to rise without any effect on the output. Keep the Sequence input voltage below the converter's input supply voltage.

Use a similar strategy on power down. The output voltage will stay constant until the Sequence input falls below the set point.

Any strategy may be used to deliver the power up/down ramps. The circuits below show simple RC networks but you may also use operational amplifiers, D/A converters, etc.

### Circuits

The circuits shown in Figures 5 through 13 introduce several concepts when using these Sequencing controls on Point-of-Load (POL) converters. These circuits are only for reference and are not intended as final designs ready for your application. Also, numerous connections are omitted for clarity.

Figure 10 shows a basic Master (POL A) and Slave (POL B) connected so that the POL B ramps up identically to POL A as shown in timing diagram Figure 6. RC network R1 and C1 charge up at a rate set by the R1-C1 time constant, giving a roughly linear ramp. As POL A reaches 3.3V out (the setpoint of POL B), POL B will stop rising. POL A then continues rising until it reaches 5V.

R1 should be selected so that it is significantly smaller than the internal bias current resistor from the Sequence pin. Start with a value of 20 Kiloohms. In Figure 10, we assume that the critical phase is only on power up therefore there is no provision for ramped power down.

Figure 11 shows a single POL and the same RC network. However we have added a small FET at Q1 to function as an up/down control. When  $V_{IN}$  power is first applied to the POL, Q1 is biased on, shorting out the Sequence pin. When Q1's gate is biased off, R1 now charges C1 and the POL's output now ramps up at the R1-C1 slew rate. Note that Q1's gate would typically be controlled from some external digital logic.

If you wish to have a ramped power down (rather than a step down), add a small resistor in series with Q1's drain.

Figure 12 shows both a RC ramp on Master POL A and a proportional tracking divider (R2 and R3) on POL B. We have also added an optional very small noise filter cap at C2. Figure 12's circuit corresponds roughly to Figure 7's timing for power up.

### Guidelines for Sequence/Track Applications

- [1] Leave the converter's On/Off Enable control (if installed) in the On setting. Normally, you should just leave the On/Off pin open.
- [2] Allow the converter to stabilize (typically less than 20 mS after  $+V_{IN}$  power on) before raising the Sequence input. Also, if you wish to have a ramped power down, leave  $+V_{IN}$  powered all during the down ramp. Do not simply shut off power.
- [3] If you do not plan to use the Sequence/Track pin, leave it open.
- [4] Observe the Output slew rate relative to the Sequence input. A rough guide is 2 Volts per millisecond maximum slew rate. If you exceed this slew rate on the Sequence pin, the converter will simply ramp up at it's maximum output slew rate (and will not necessarily track the faster Sequence input). The reason to carefully consider the slew rate limitation is in case you want two different POL's to precisely track each other.
- [5] Be aware of the input characteristics of the Sequence pin. The high input impedance affects the time constant of any small external ramp capacitor. And the bias current will slowly charge up any external caps over time if they are not grounded. The internal pull up resistor to  $+V_{IN}$  is typically 400 Kiloohms to 1 Megohm.  
  
Notice in the simplified Sequence/Track equivalent circuit (Figure 13) that a blocking diode effectively disconnects this circuit when the Sequence/Track pin is left open.
- [6] Allow the converter to eventually achieve its full rated setpoint output voltage. Do not remain in ramp up/down mode indefinitely. The converter is characterized and meets all its specifications only at the setpoint voltage (plus or minus any trim voltage). During the ramp-up phase, the converter is not considered fully in regulation. This may affect performance with excessive high current loads at turn-on.
- [7] The Sequence is a sensitive input into the feedback control loop of the converter. Avoid noise and long leads on this input. Keep all wiring very short. Use shielding if necessary.
- [8] If one converter is slaving to another master converter, there will be a very short phase lag between the two converters. This can usually be ignored.
- [9] You may connect two or more Sequence inputs in parallel from two converters. Be aware of the increasing pull-up bias current and reduced input impedance.
- [10] Any external capacitance added to the converter's output may affect ramp up/down times and ramp tracking accuracy.

### Pre-Biased Startup

Newer systems with multiple power voltages have an additional problem besides startup sequencing. Some sections have power already partially applied (possibly because of earlier power sequencing) or have leakage power present so that the DC/DC converter must power up into an existing voltage. This power may either be stored in an external bypass capacitor or supplied by an active source.

This “pre-biased” condition can also occur with some types of programmable logic or because of blocking diode leakage or small currents passed through forward biased ESD diodes. Conventional DC/DCs may fail to start up correctly if there is output voltage already present. And some external circuits are adversely affected when the low side MOSFET in a synchronous rectifier converter sinks current at start up.

The LSN2-T/30-D12 series includes a pre-bias startup mode to prevent these initialization problems. Essentially, the converter acts as a simple buck converter until the output reaches its set point voltage at which time it converts to a synchronous rectifier design. This feature is variously called “monotonic” because the voltage does not decay (from low side MOSFET shorting) or produce a negative transient once the input power is applied and the startup sequence begins.

### Don't Use Pre-Biasing and Sequencing Together

Normally, you would use startup sequencing on multiple DC/DCs to solve the Pre-Bias problem. By causing all power sources to ramp up together, no one source can dominate and force the others to fail to start. For most applications, do not use startup sequencing in a Pre-Bias application, especially with an external active power source.

If you have active source pre-biasing, leave the Sequence input open so that the output will step up quickly and safely. A symptom of this condition is repeated failed starts. You can further verify this by removing the existing load and testing it with a separate passive resistive load which does not exceed full current. If the resistive load starts successfully, you may be trying to drive an external pre-biased active source.

It may also be possible to use pre-bias and sequencing together if the Pre-Bias source is in fact only a small external bypass capacitor slowly charged by leakage currents. Test your application to be sure.

### Output Adjustments

The LSN2-T/30-D12 series includes a special output voltage trimming feature which is fully compatible with competitive units. The output voltage may be varied using a single trim resistor from the Trim input to Power Common.

As with other trim adjustments, be sure to use a precision low-tempco resistor ( $\pm 100\text{ppm}/^\circ\text{C}$ .) mounted close to the converter with short leads. Also be aware that the output voltage accuracy is  $\pm 1.5\%$  (typical) therefore you may need to vary this resistance slightly to achieve your desired output setting.

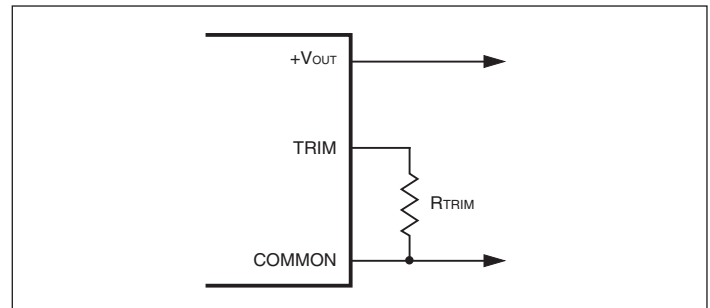
Use short leads. Mount the leads close to the converter.

### Resistor Trim Equation

$$R_{\text{TRIM}} (\Omega) = \frac{1200}{V_o - 0.80} - 100$$

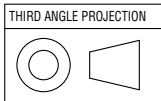
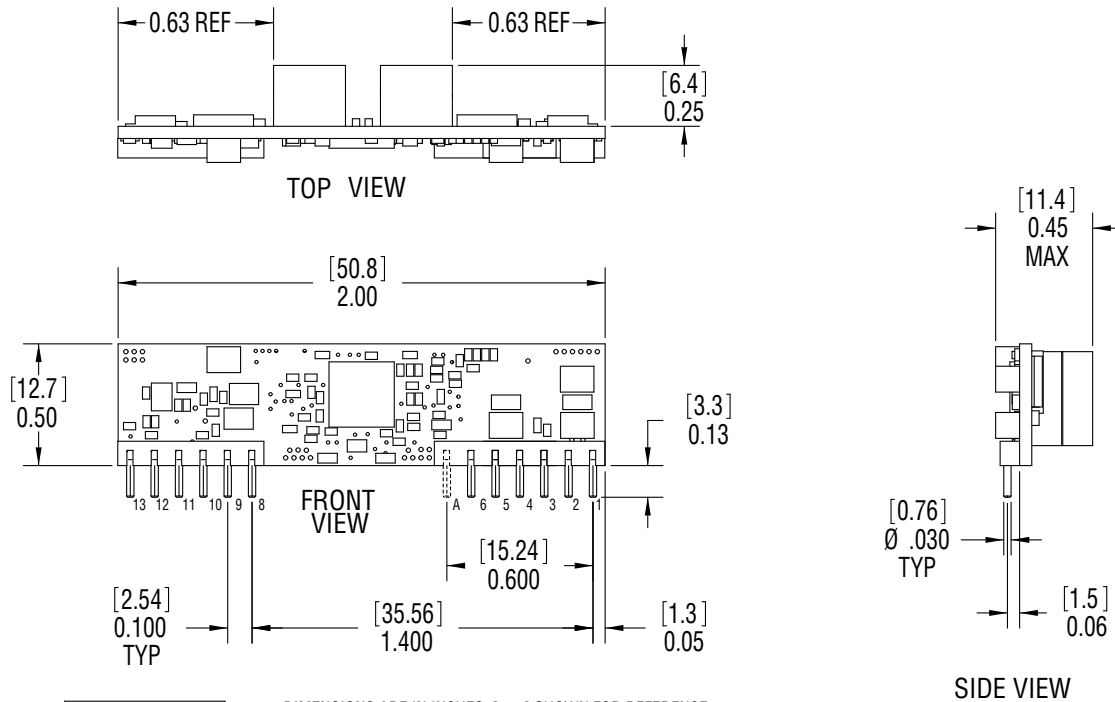
Where  $V_o$  is the desired output voltage.

Figure 14. Trim Connections



## MECHANICAL SPECIFICATIONS

### Case B13



DIMENSIONS ARE IN INCHES, [mm] SHOWN FOR REFERENCE

TOLERANCES:  
 2 PLACE ±.02 ANGLES: ±1°  
 3 PLACE ±.010

COMPONENTS SHOWN ARE FOR REFERENCE ONLY

MATERIAL:  
 PINS: COPPER ALLOY

FINISH: (ALL PINS)  
 TIN OVER NICKEL

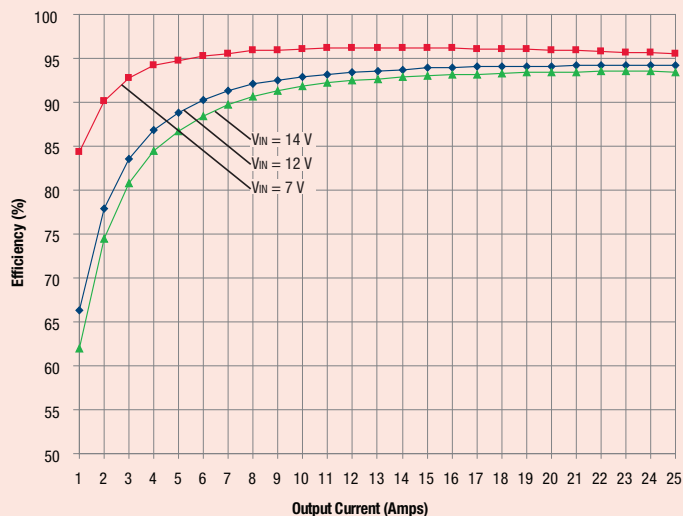
INPUT/OUTPUT CONNECTIONS			
Pin	Function P71	Pin	Function P71
1	+Output	7	No Pin
2	+Output	8	Common
3	+Sense In	9	+Input
4	+Output	10	+Input
5	Common	11	V <sub>TRACK</sub> /Sequence
6	Common	12	Trim
A	Power Good Out*	13	On/Off Control

\*Power Good output is optional. If not installed, the pin is omitted.

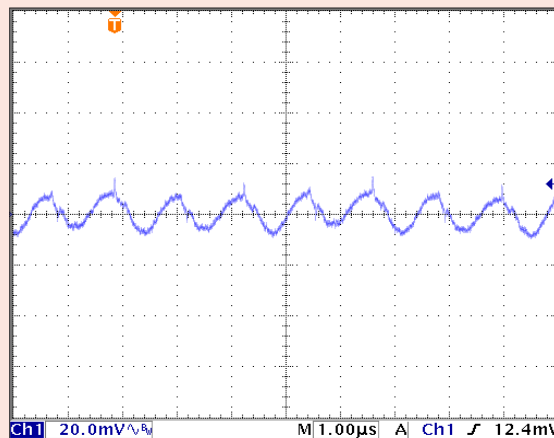
**Note:** Because of the high currents, wire appropriate input, output, and common pins in parallel groups.

**PERFORMANCE DATA: OUTPUT VOLTAGE = 5 VOLTS**

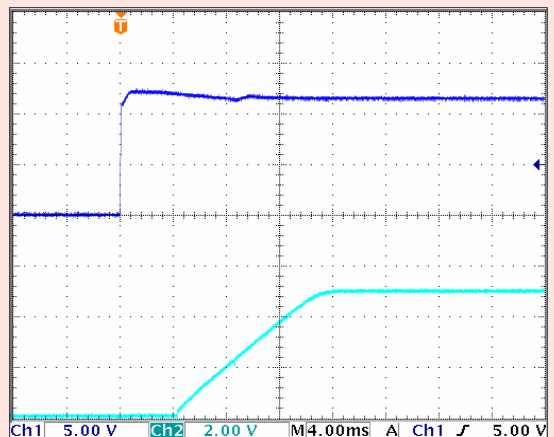
Efficiency vs. Line Voltage and Load Current @ 25°C (V<sub>OUT</sub> = 5V)



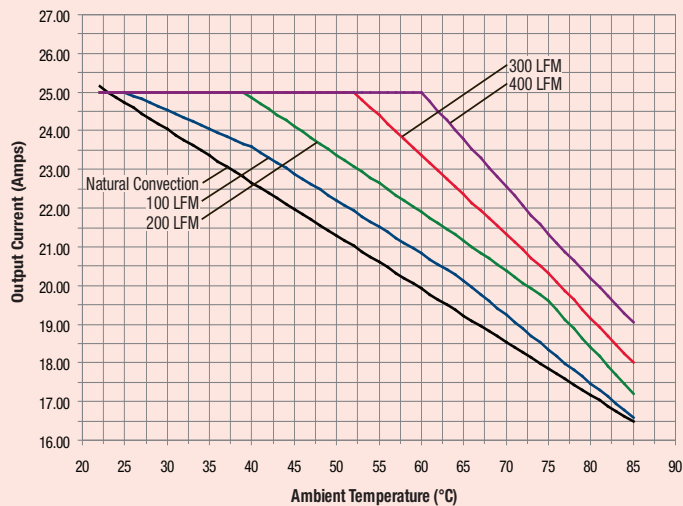
Output Ripple & Noise (V<sub>IN</sub> = 12 V, I<sub>OUT</sub> = 20 A, C<sub>OUT</sub> = 10μF || 0.1μF, 'scope = 20 MHz BW)



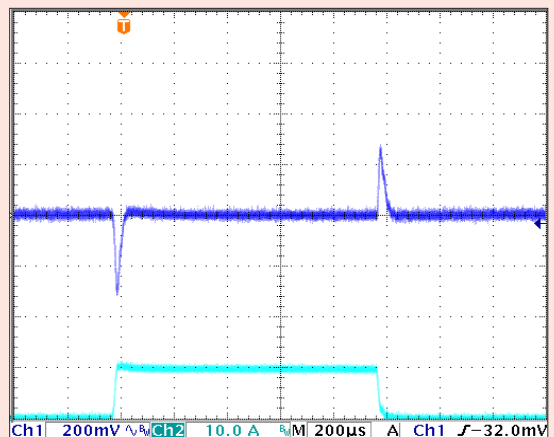
Power-On Startup (V<sub>IN</sub> = 12 V, I<sub>OUT</sub> = 25 A)  
Ch1 = V<sub>IN</sub>, Ch2 = V<sub>OUT</sub>



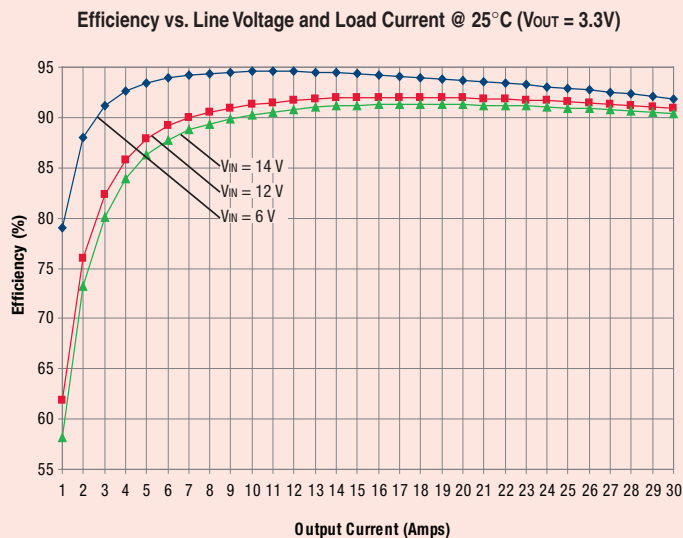
Maximum Current Temperature Derating @sea level  
(V<sub>IN</sub> = 12V, V<sub>OUT</sub> = 5V, longitudinal airflow)



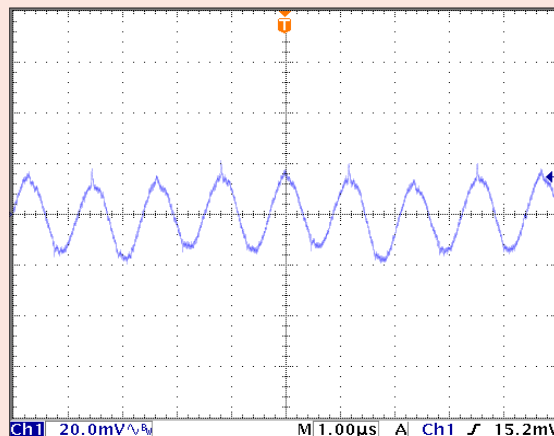
StepLoad Transient Response (V<sub>IN</sub> = 12 V, 0-10A-0)  
Ch1 = V<sub>OUT</sub>, Ch2 = I<sub>OUT</sub>, 10 A/div.



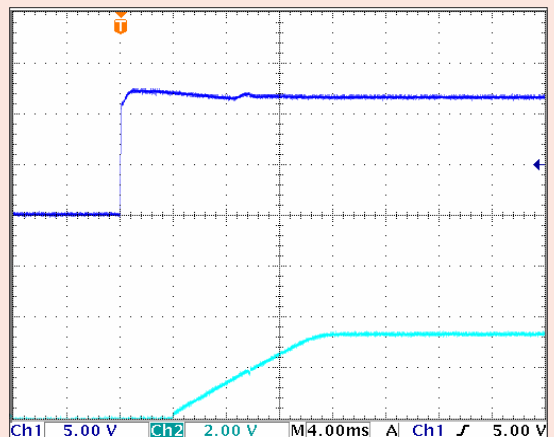
**PERFORMANCE DATA: OUTPUT VOLTAGE = 3.3 VOLTS**



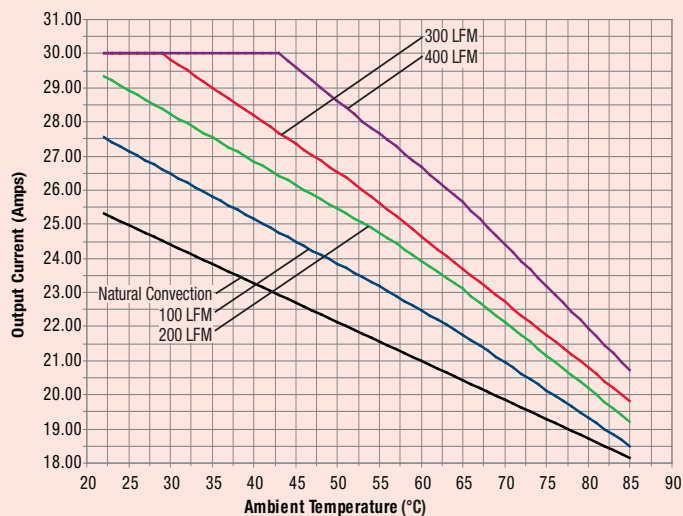
**Output Ripple & Noise (V<sub>IN</sub> = 12 V, I<sub>OUT</sub> = 20 A,  
C<sub>OUT</sub> = 10μF || 0.1μF, 'scope = 20 MHz BW)**



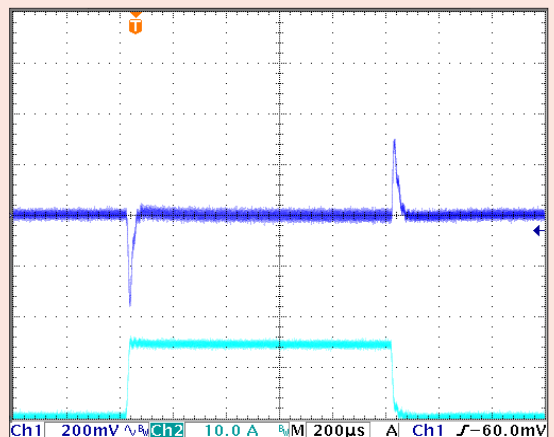
**Power-On Startup (V<sub>IN</sub> = 12 V, I<sub>OUT</sub> = 30 A)  
Ch1 = V<sub>IN</sub>, Ch2 = V<sub>OUT</sub>**



**Maximum Current Temperature Derating @sea level  
(V<sub>IN</sub> = 12V, V<sub>OUT</sub> = 3.3V, longitudinal airflow)**

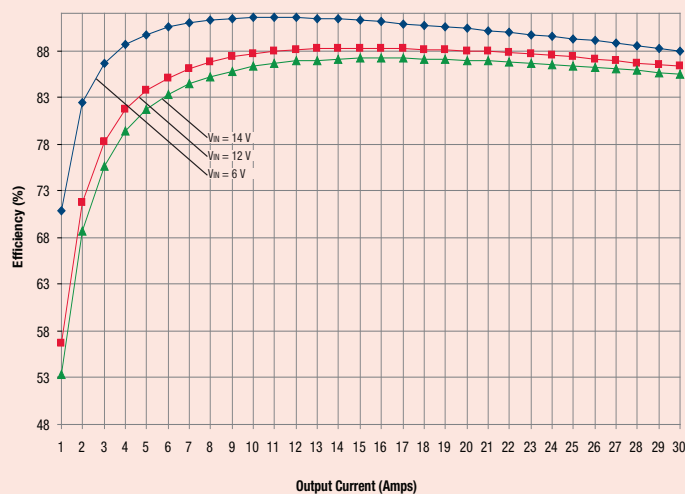


**StepLoad Transient Response (V<sub>IN</sub> = 12 V, 0-15A-0)  
Ch1 = V<sub>OUT</sub>, Ch2 = I<sub>OUT</sub>, 10 A/div.**

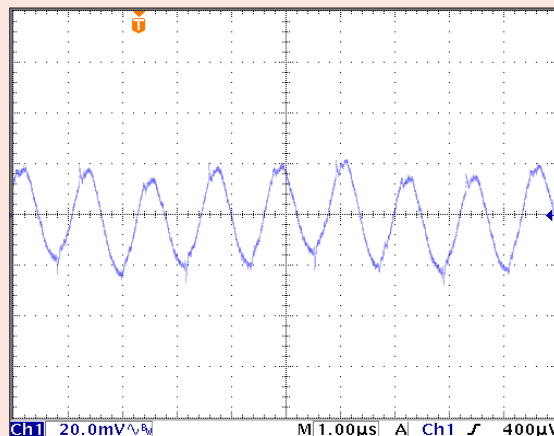


**PERFORMANCE DATA: OUTPUT VOLTAGE = 1.8 VOLTS**

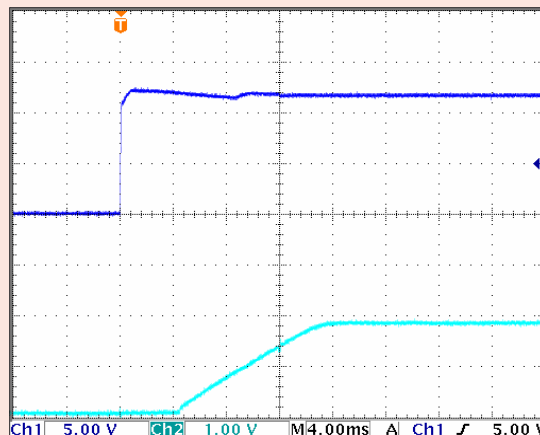
Efficiency vs. Line Voltage and Load Current @ 25°C (V<sub>OUT</sub> = 1.8V)



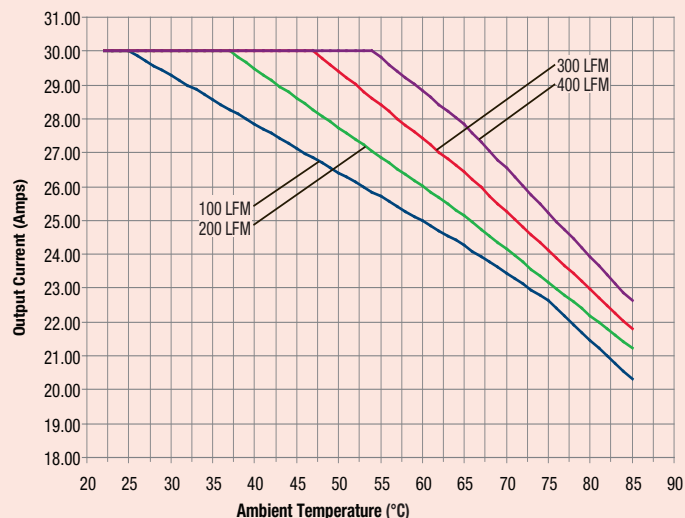
Output Ripple & Noise (V<sub>IN</sub> = 12 V, I<sub>OUT</sub> = 30 A, C<sub>OUT</sub> = 10μF || 0.1μF, 'scope = 20 MHz BW)



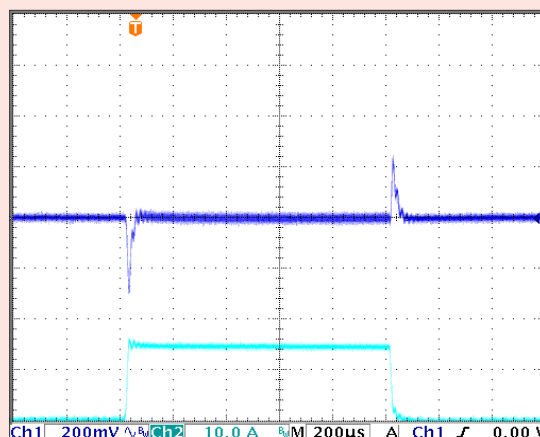
Power-On Startup (V<sub>IN</sub> = 12 V, I<sub>OUT</sub> = 30 A)  
Ch1 = V<sub>IN</sub>, Ch2 = V<sub>OUT</sub>



Maximum Current Temperature Derating @sea level  
(V<sub>IN</sub> = 12V, V<sub>OUT</sub> = 1.8V, longitudinal airflow)

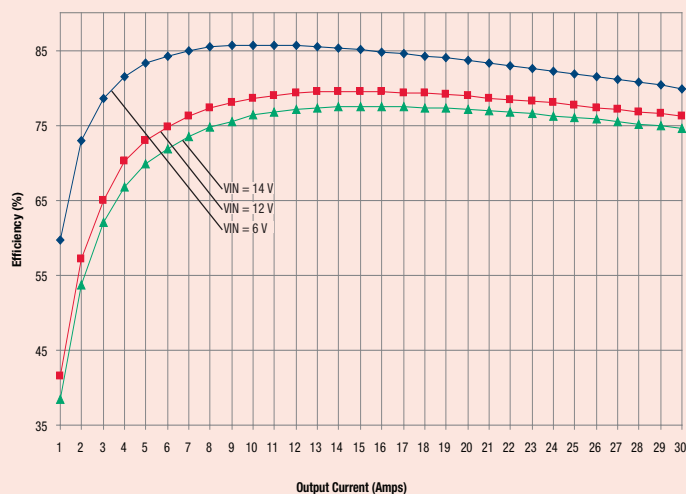


StepLoad Transient Response (V<sub>IN</sub> = 12 V, 0-15A-0)  
Ch1 = V<sub>OUT</sub>, Ch2 = I<sub>OUT</sub>, 10 A/div.

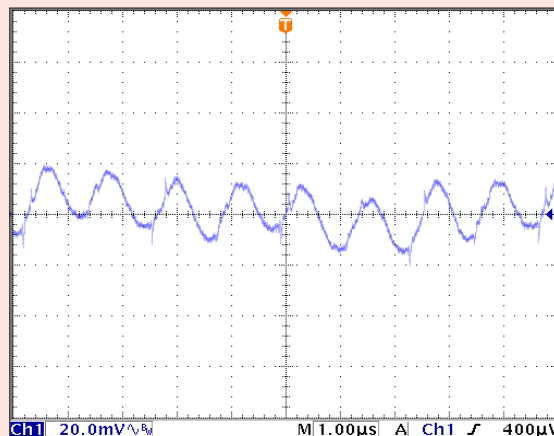


**PERFORMANCE DATA: OUTPUT VOLTAGE = 0.8 VOLTS**

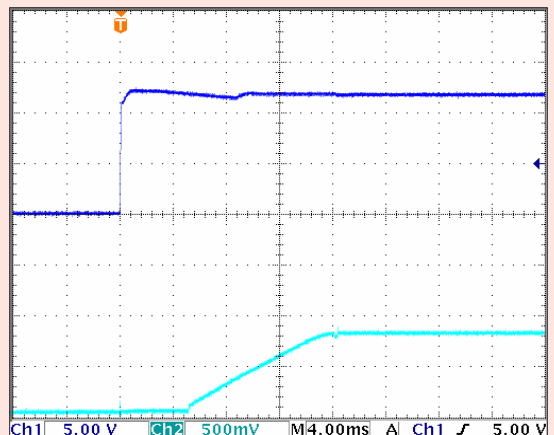
Efficiency vs. Line Voltage and Load Current @ 25°C (V<sub>OUT</sub> = 0.8V)



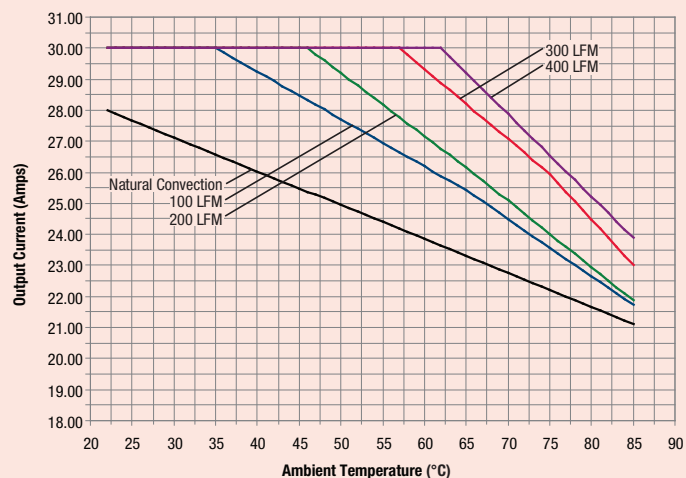
Output Ripple & Noise (V<sub>IN</sub> = 12 V, I<sub>OUT</sub> = 30 A, C<sub>OUT</sub> = 10μF || 0.1μF, 'scope = 20 MHz BW)



Power-On Startup (V<sub>IN</sub> = 12 V, I<sub>OUT</sub> = 25 A)  
Ch1 = V<sub>IN</sub>, Ch2 = V<sub>OUT</sub>



Maximum Current Temperature Derating @sea level  
(V<sub>IN</sub> = 12V, V<sub>OUT</sub> = 0.8V, longitudinal airflow)



StepLoad Transient Response (V<sub>IN</sub> = 12 V, 0-15A-0)  
Ch1 = V<sub>OUT</sub>, Ch2 = I<sub>OUT</sub>, 10 A/div.

